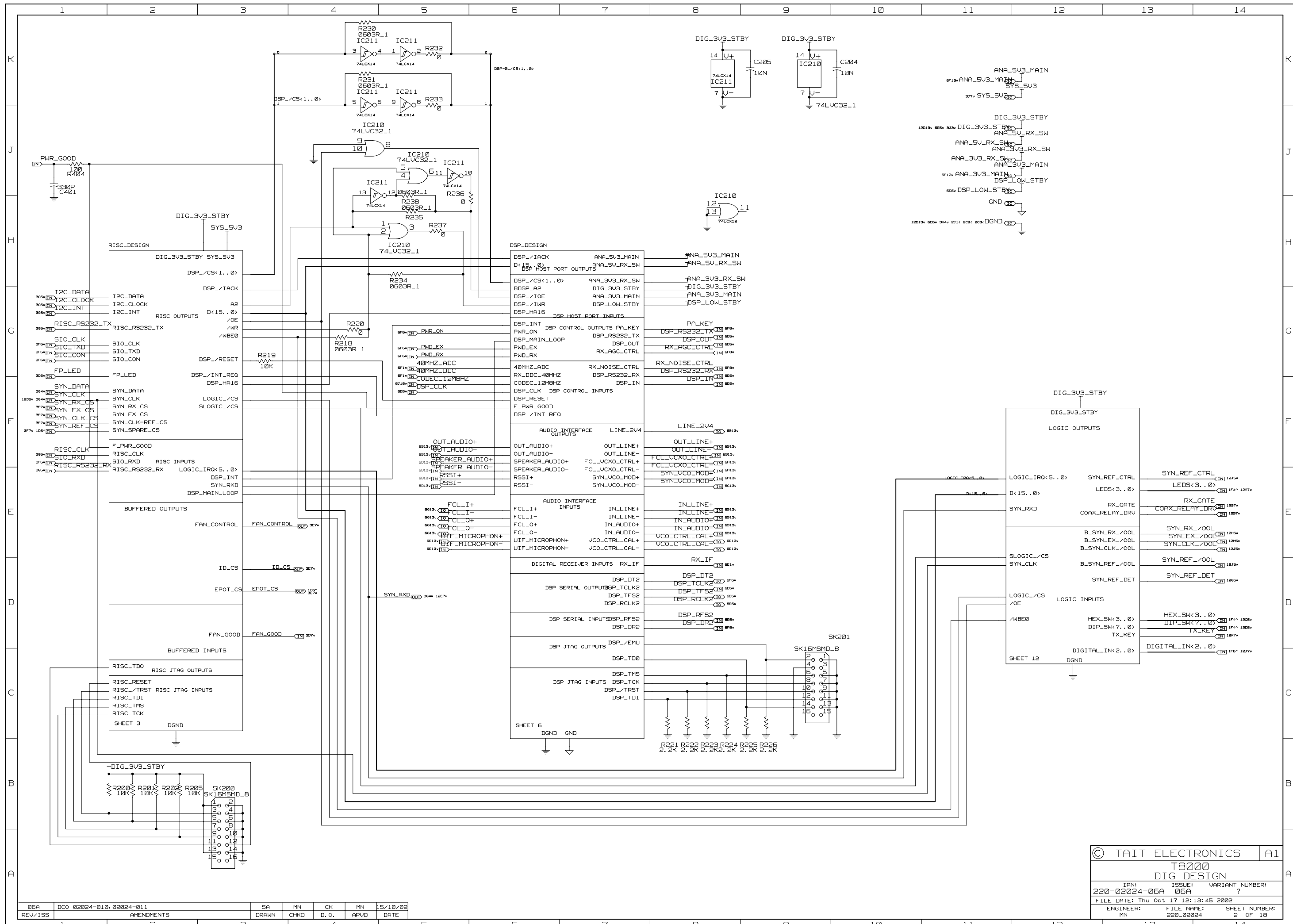


© TAIT ELECTRONICS A1

T8000
RECITER CONTROL

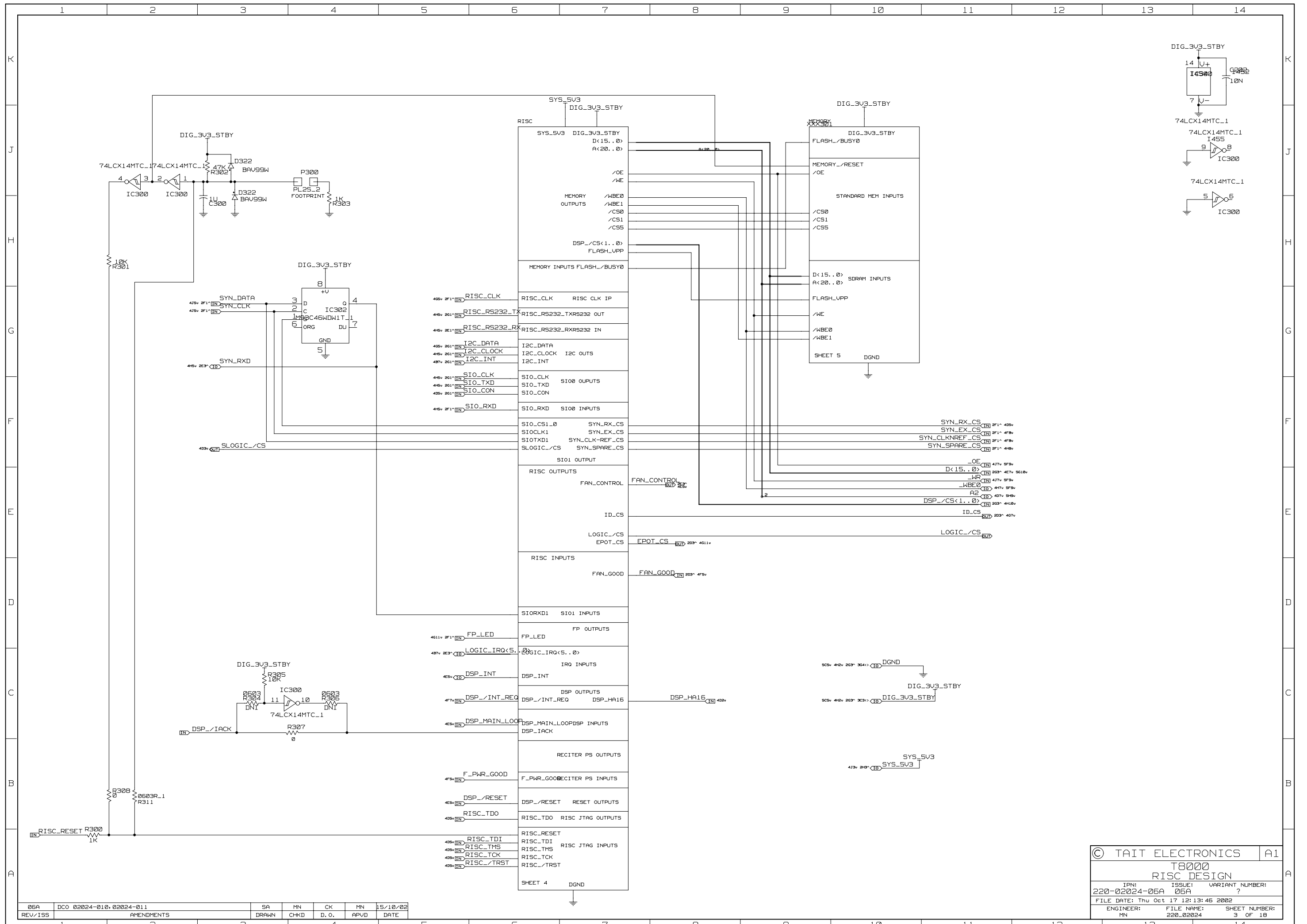
IPN: 220-02024-05A	ISSUE: 05A	VARIANT NUMBER: ?
FILE DATE: Thu Oct 17 12:13:43 2002		
ENGINEER: MN	FILE NAME: 220_02024	SHEET NUMBER: 1 OF 18

05A	DCO 02024-010, 02024-011	SA	MN	CK	MN	15/10/02
REV/ISS	AMENDMENTS	DRAWN	CHKD	D. O.	APVD	DATE



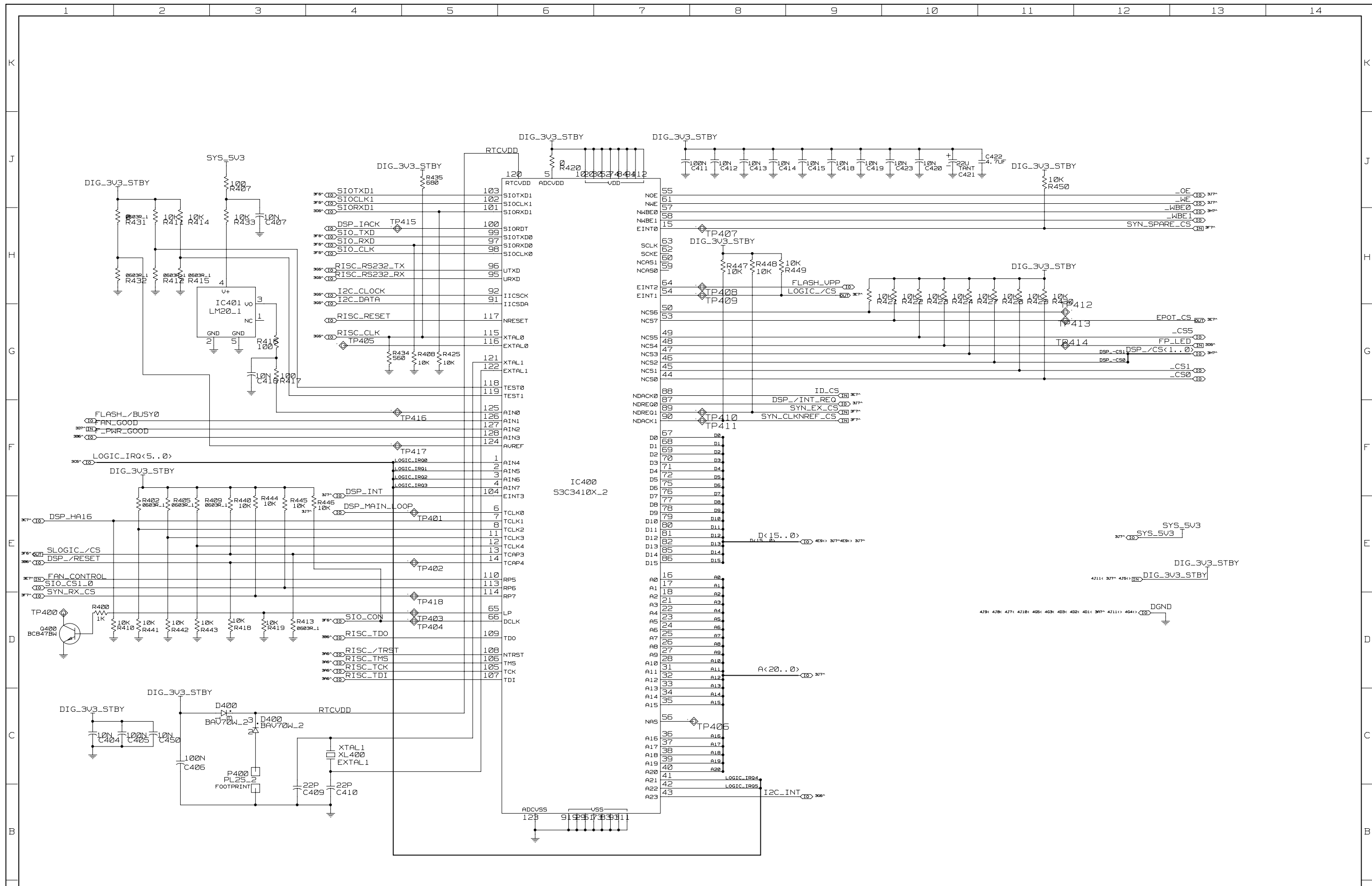
© TAIT ELECTRONICS		A1
T8000 DIG DESIGN		
IPN: 220-02024-05A	ISSUE: 05A	VARIANT NUMBER: ?
FILE DATE: Thu Oct 17 12:13:45 2002		
ENGINEER: MN	FILE NAME: 220_02024	SHEET NUMBER: 2 OF 18

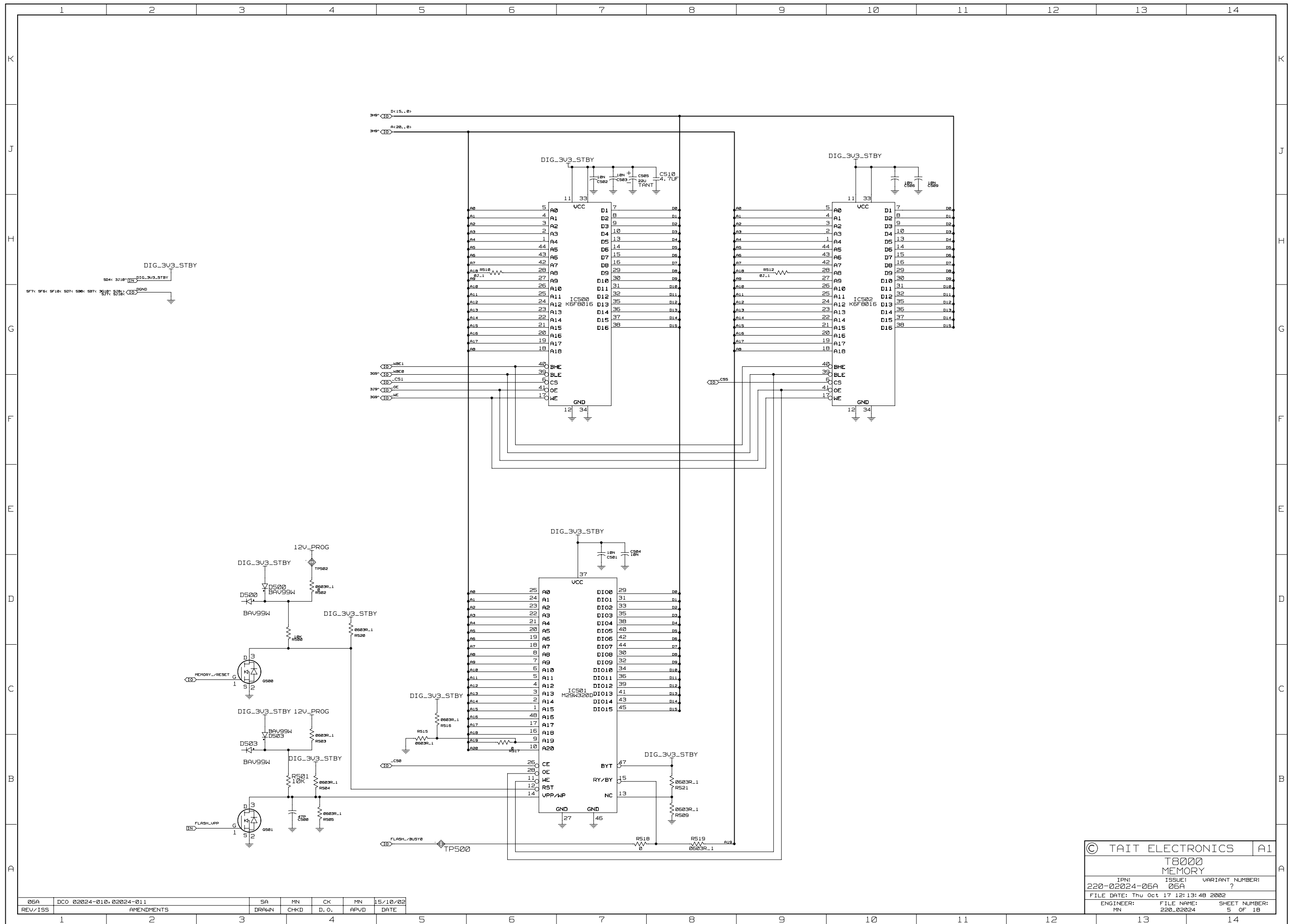
05A	DCO 02024-010_02024-011	SA	MN	CK	MN	15/10/02
REV/ISS	AMENDMENTS	DRAWN	CHKD	D. O.	APVD	DATE



© TAIT ELECTRONICS		A1
T8000 RISC DESIGN		
IPN: 220-02024-06A	ISSUE: 06A	VARIANT NUMBER: ?
FILE DATE: Thu Oct 17 12:13:46 2002		
ENGINEER: MN	FILE NAME: 220_02024	SHEET NUMBER: 3 OF 18

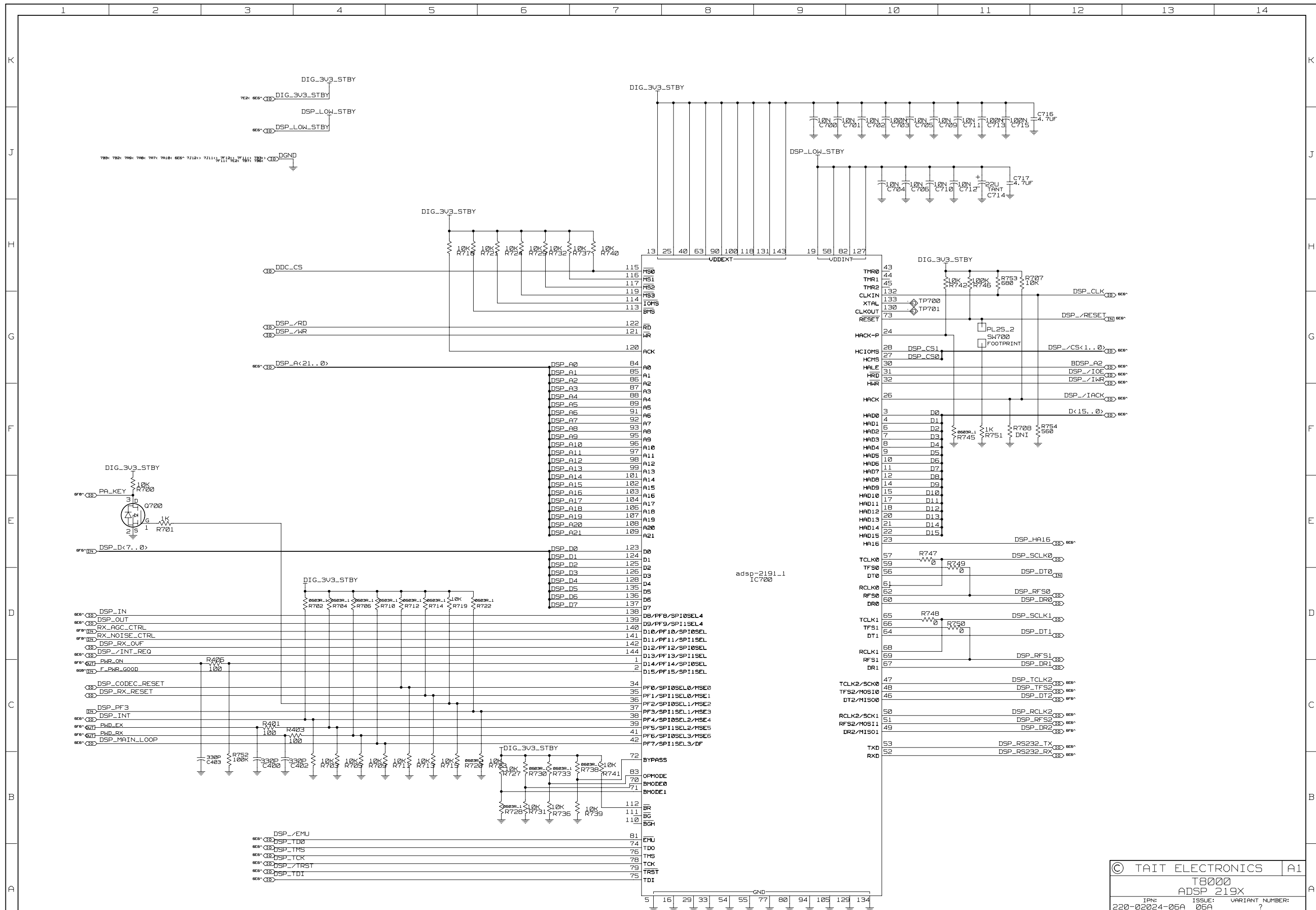
05A	DCO 02024-010, 02024-011	SA	MN	CK	MN	15/10/02
REV/ISS	AMENDMENTS	DRAWN	CHKD	D. O.	APVD	DATE





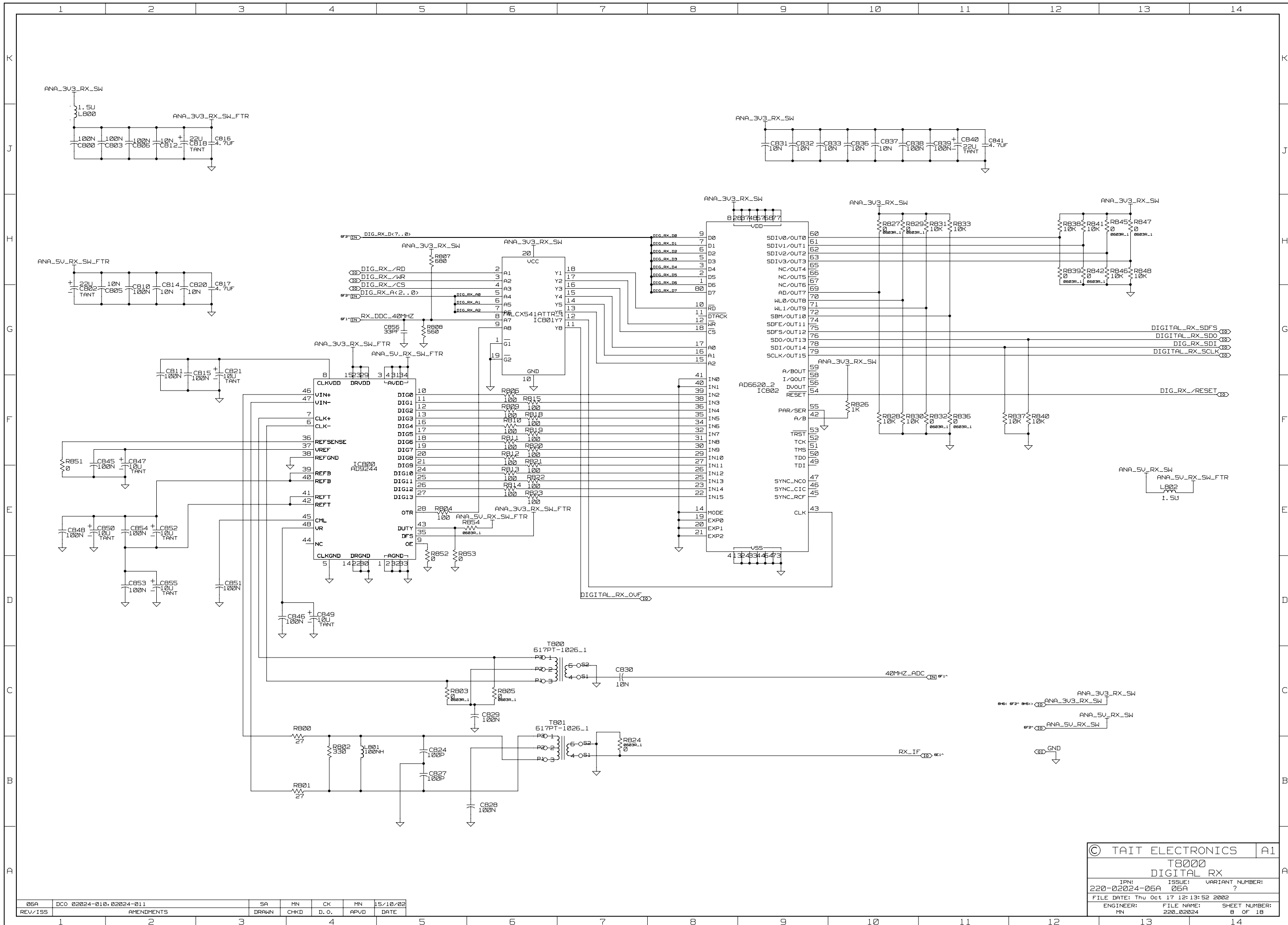
© TAIT ELECTRONICS		A1
T8000 MEMORY		
IPN: 220-02024-05A	ISSUE: 06A	VARIANT NUMBER: ?
FILE DATE: Thu Oct 17 12:13:48 2002		
ENGINEER: MN	FILE NAME: 220_02024	SHEET NUMBER: 5 OF 18

05A	DCO 02024-010, 02024-011	SA	MN	CK	MN	15/10/02
REV/ISS	AMENDMENTS	DRAWN	CHKD	D. O.	APVD	DATE



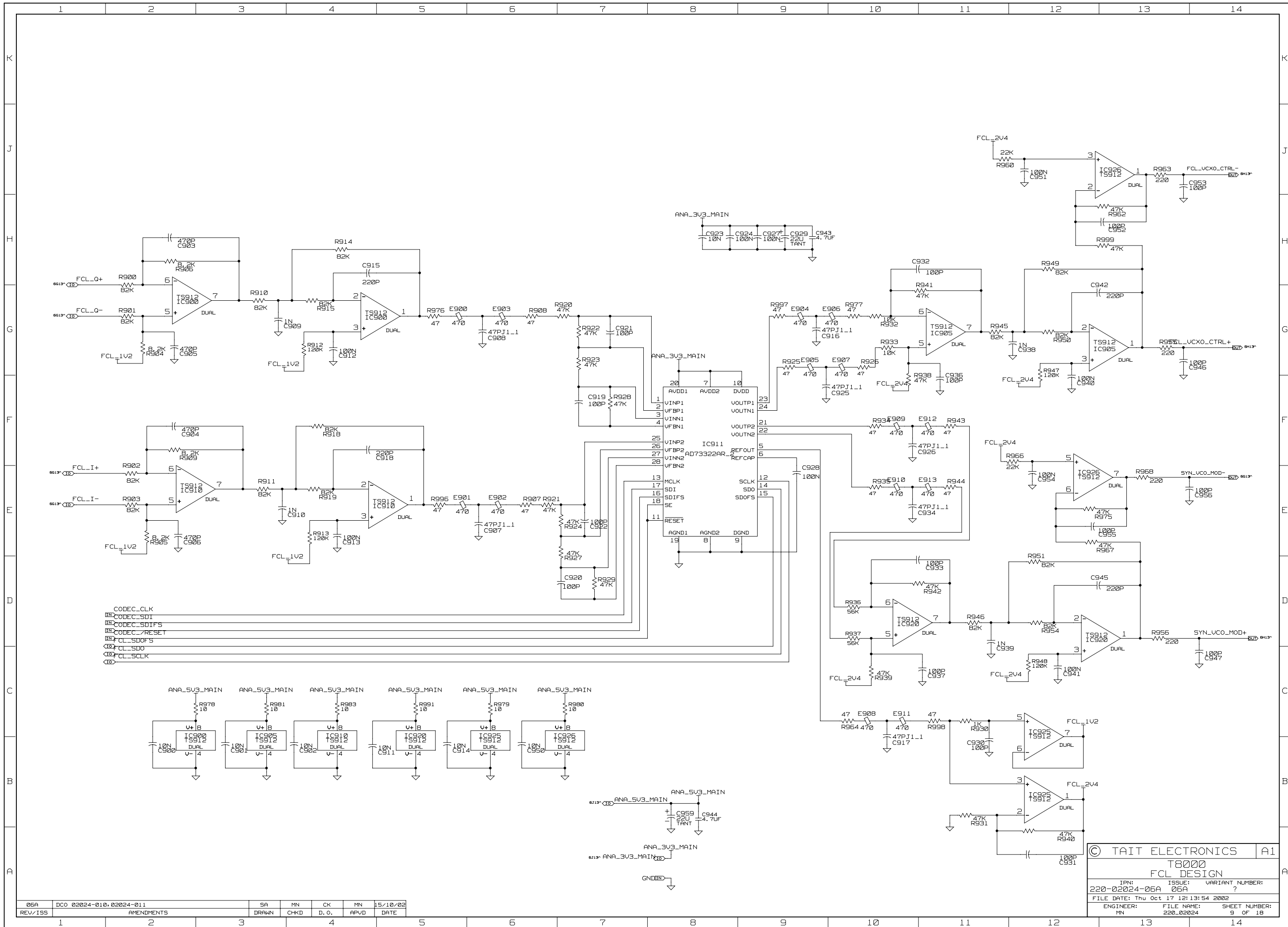
© TAIT ELECTRONICS		A1
T8000		
ADSP 219X		
IPN:	ISSUE:	VARIANT NUMBER:
220-02024-06A	06A	?
FILE DATE:	Thu Oct 17 12:13:51 2002	
ENGINEER:	FILE NAME:	SHEET NUMBER:
MN	220_02024	7 OF 18

05A	DCO 02024-010, 02024-011	SA	MN	CK	MN	15/10/02
REV/ISS	AMENDMENTS	DRAWN	CHKD	D. O.	APVD	DATE



© TAIT ELECTRONICS		A1
T800 DIGITAL RX		
IPN: 220-02024-06A	ISSUE: 06A	VARIANT NUMBER: ?
FILE DATE: Thu Oct 17 12:13:52 2002		
ENGINEER: MN	FILE NAME: 220_02024	SHEET NUMBER: 8 OF 18

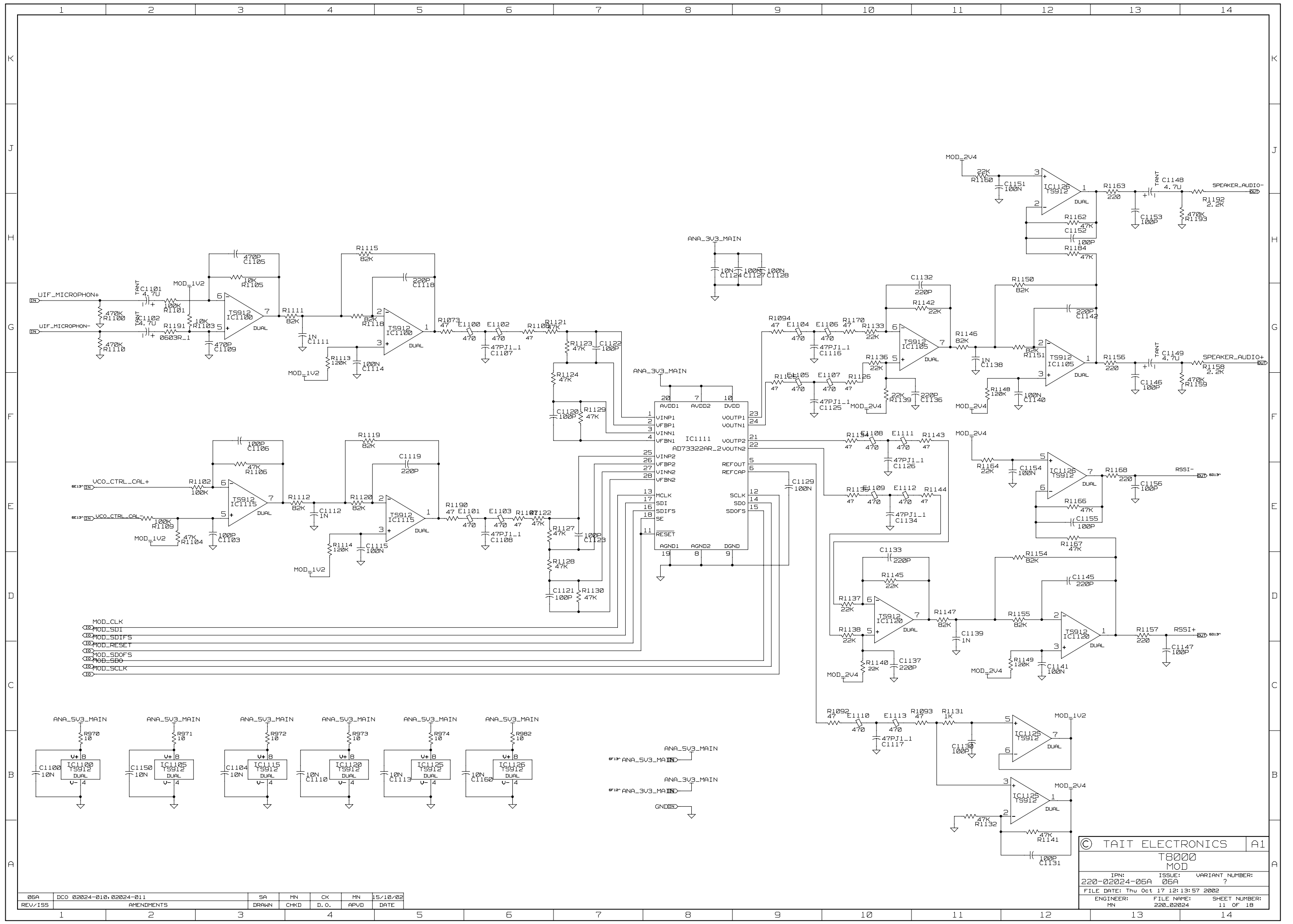
06A	DCO 02024-010, 02024-011	SA	MN	CK	MN	15/10/02
REV/ISS	AMENDMENTS	DRAWN	CHKD	D. O.	APVD	DATE



- CODEC_CLK
- CODEC_SDI
- CODEC_SDI FS
- CODEC_RESET
- CL_SDO FS
- CL_SDO
- CL_SCLK

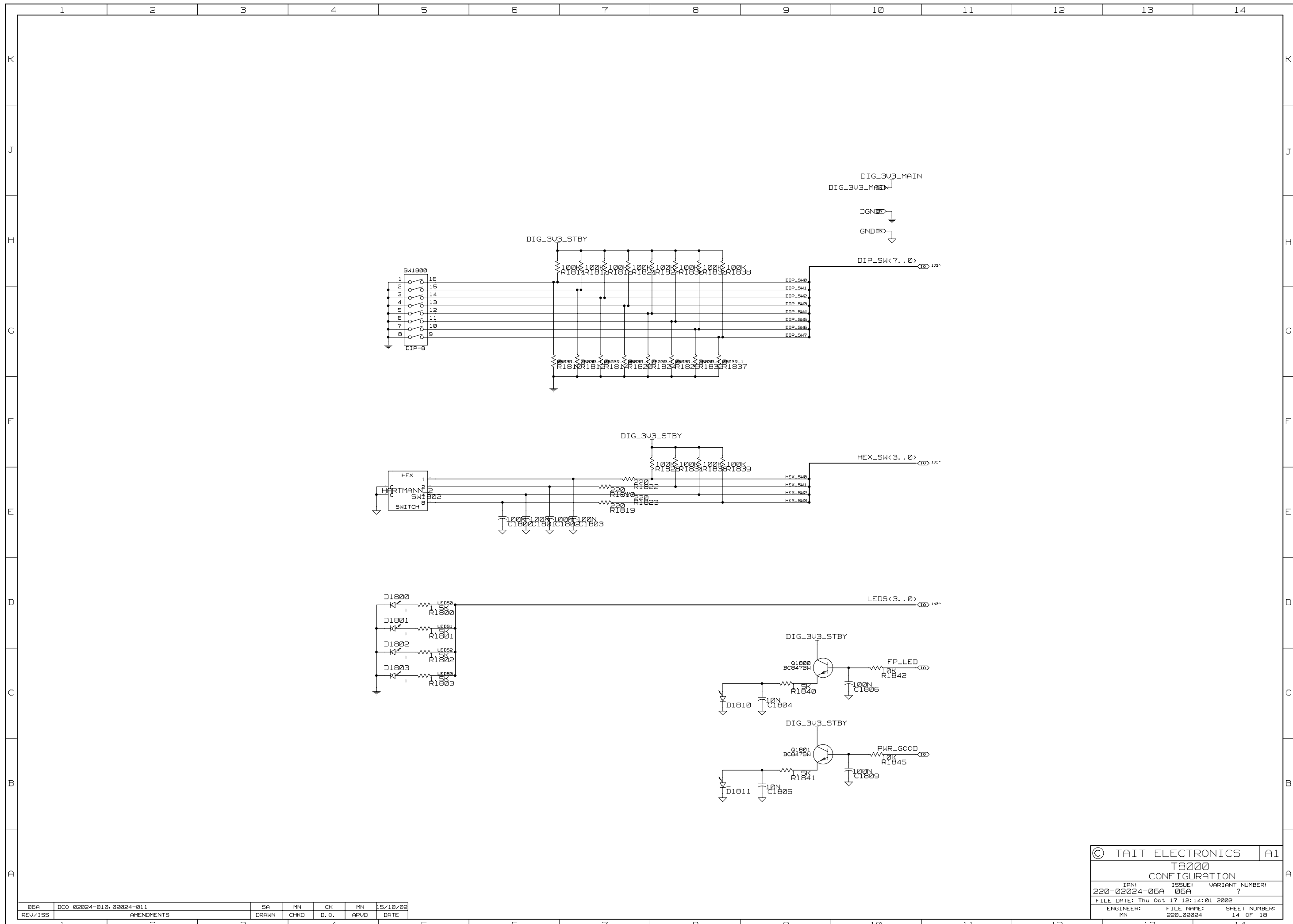
© TAIT ELECTRONICS		A1
T8000 FCL DESIGN		
IPN: 220-02024-05A	ISSUE: 05A	VARIANT NUMBER: ?
FILE DATE: Thu Oct 17 12:13:54 2002		
ENGINEER: MN	FILE NAME: 220_02024	SHEET NUMBER: 9 OF 18

05A	DCO 02024-010, 02024-011	SA	MN	CK	MN	15/10/02
REV/ISS	AMENDMENTS	DRAWN	CHKD	D. O.	APVD	DATE



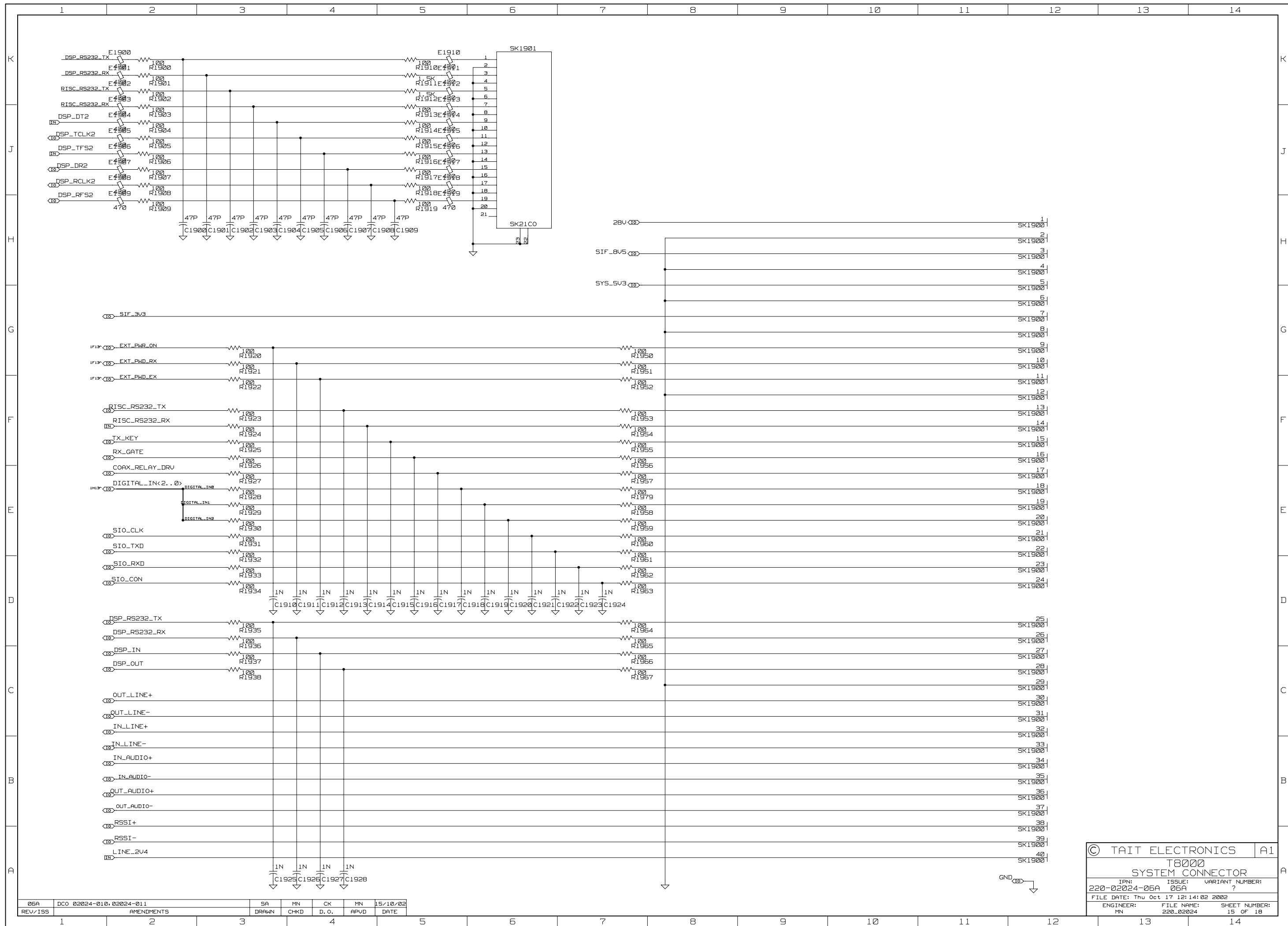
© TAIT ELECTRONICS		A1
T8000 MOD		
IPN: 220-02024-05A	ISSUE: 05A	VARIANT NUMBER: ?
FILE DATE: Thu Oct 17 12:13:57 2002	ENGINEER: MN	FILE NAME: 220_02024
		SHEET NUMBER: 11 OF 18

05A	DCO 02024-010, 02024-011	SA	MN	CK	MN	15/10/02
REV/ISS	AMENDMENTS	DRAWN	CHKD	D. O.	APVD	DATE



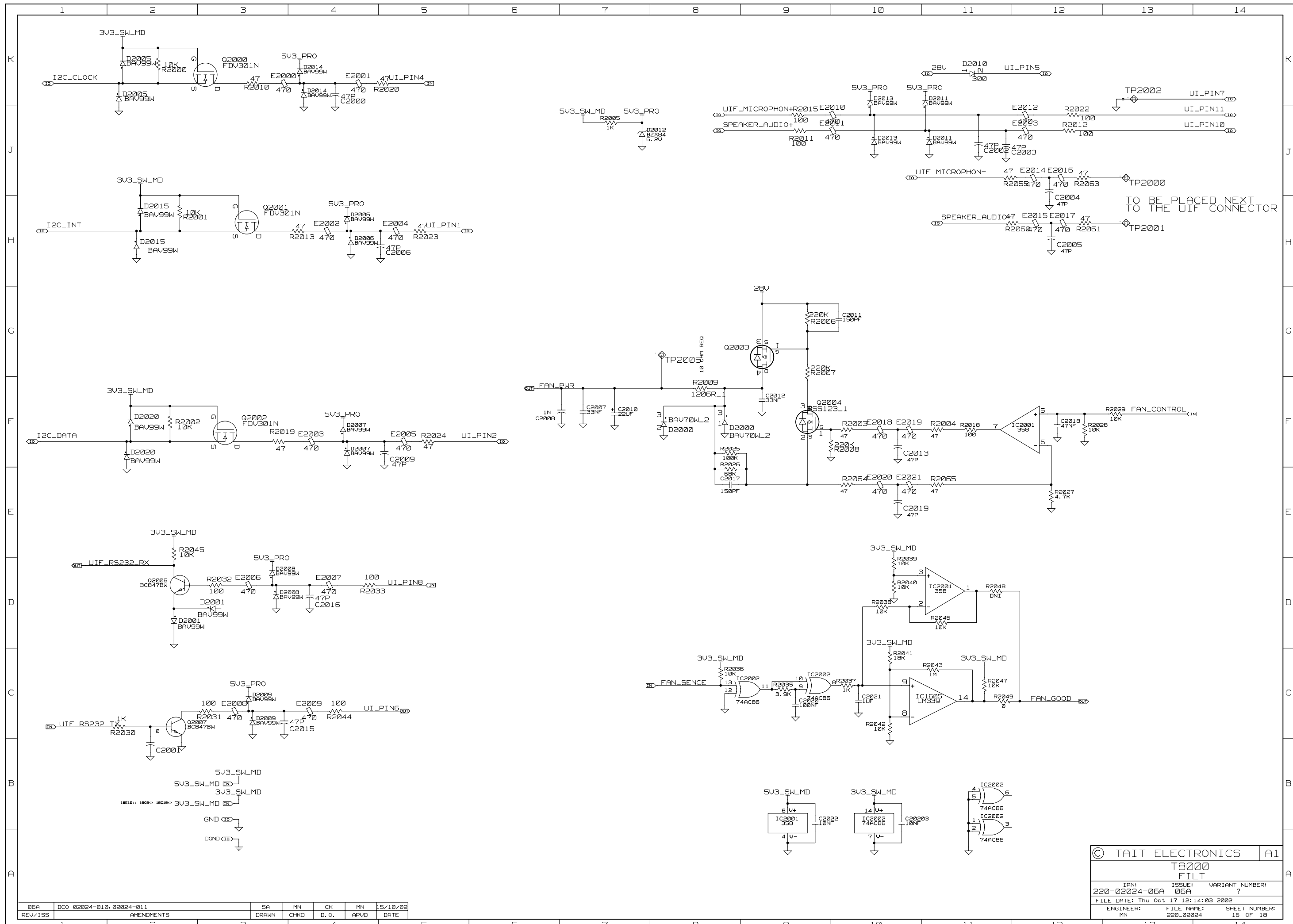
© TAIT ELECTRONICS		A1
T8000 CONFIGURATION		
IPN: 220-02024-05A	ISSUE: 05A	VARIANT NUMBER: ?
FILE DATE: Thu Oct 17 12:14:01 2002		
ENGINEER: MN	FILE NAME: 220_02024	SHEET NUMBER: 14 OF 18

05A	DCO 02024-010, 02024-011	SA	MN	CK	MN	15/10/02
REV/ISS	AMENDMENTS	DRAWN	CHKD	D. O.	APVD	DATE



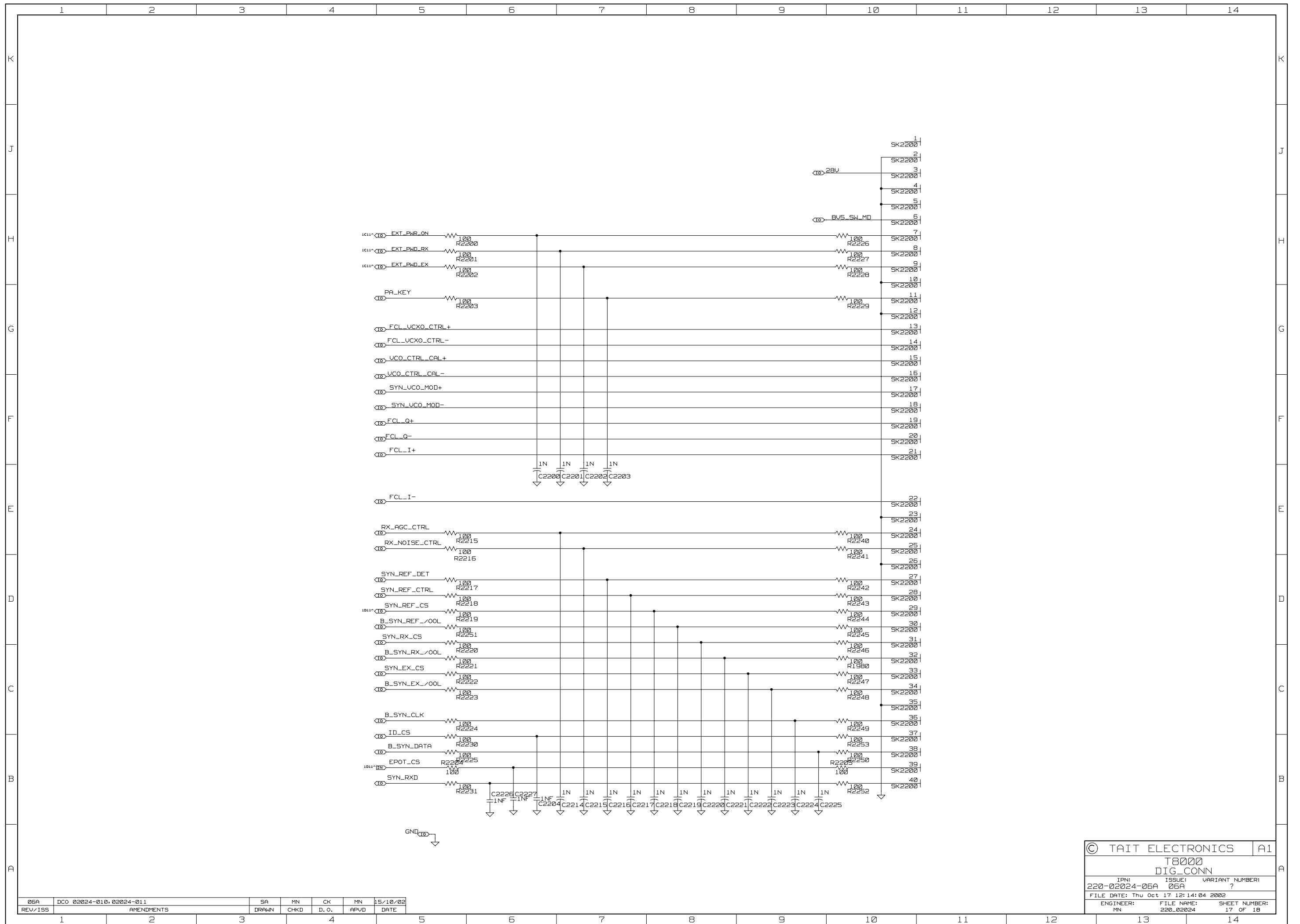
05A	DCO 02024-010, 02024-011	SA	MN	CK	MN	15/10/02
REV/ISS	AMENDMENTS	DRAWN	CHKD	D. O.	APVD	DATE

© TAIT ELECTRONICS		A1
T8000 SYSTEM CONNECTOR		
IPN: 220-02024-05A	ISSUE: 05A	VARIANT NUMBER: ?
FILE DATE: Thu Oct 17 12:14:02 2002	ENGINEER: MN	SHEET NUMBER: 15 OF 18



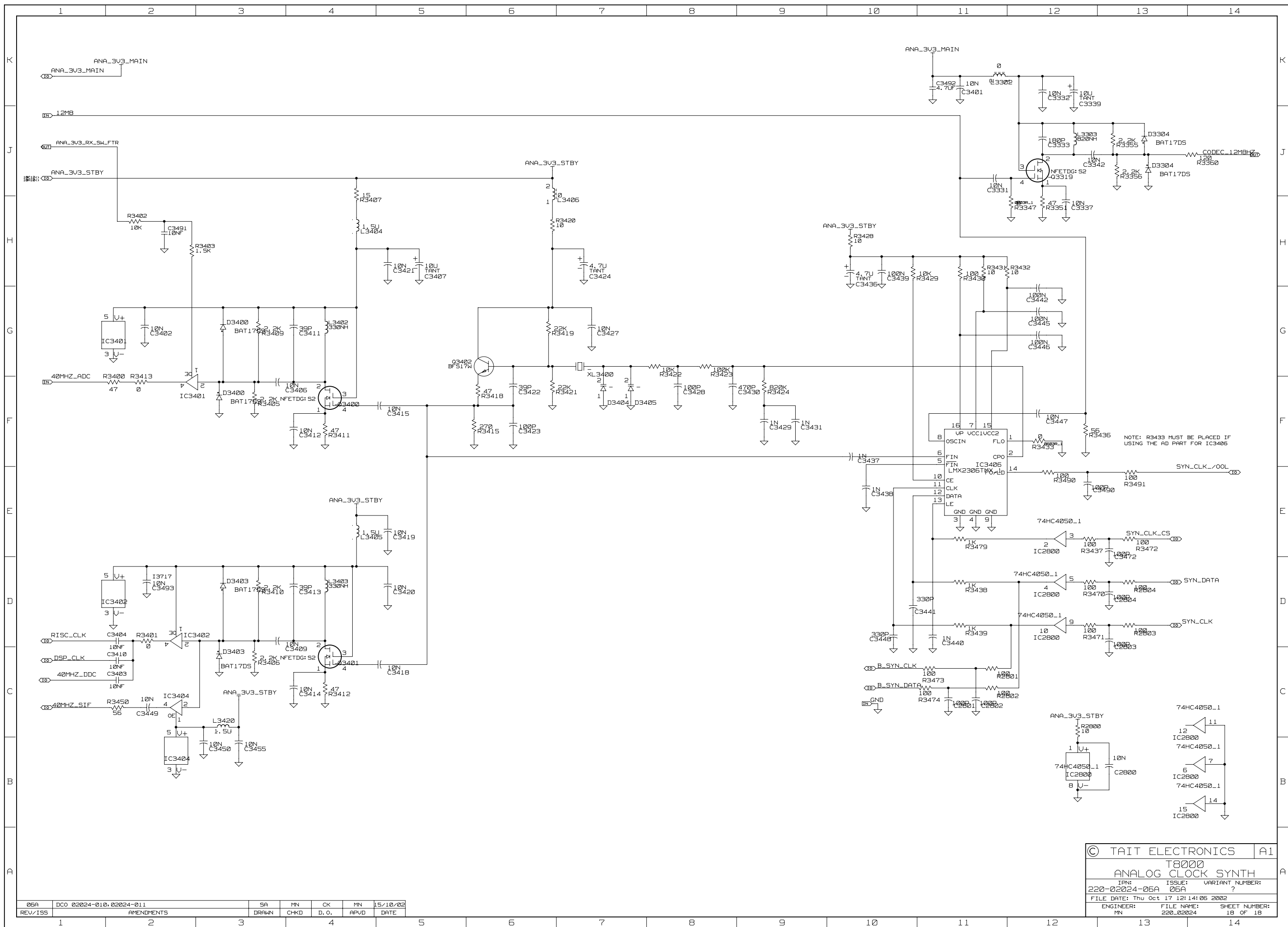
© TAIT ELECTRONICS		A1
T800 FILT		
IPN: 220-02024-06A	ISSUE: 06A	VARIANT NUMBER: ?
FILE DATE: Thu Oct 17 12:14:03 2002		
ENGINEER: MN	FILE NAME: 220_02024	SHEET NUMBER: 15 OF 18

06A	DCO 02024-010, 02024-011	SA	MN	CK	MN	15/10/02
REV/ISS	AMENDMENTS	DRAWN	CHKD	D. O.	APVD	DATE



© TAIT ELECTRONICS		A1
T8000 DIG_CONN		
IPN: 220-02024-05A	ISSUE: 05A	VARIANT NUMBER: ?
FILE DATE: Thu Oct 17 12:14:04 2002		
ENGINEER: MN	FILE NAME: 220_02024	SHEET NUMBER: 17 OF 18

05A	DCO 02024-010, 02024-011	SA	MN	CK	MN	15/10/02
REV/ISS	AMENDMENTS	DRAWN	CHKD	D. O.	APPVD	DATE
1		3		4		5



© TAIT ELECTRONICS | A1
 T8000
 ANALOG CLOCK SYNTH
 IPN: 220-02024-06A | ISSUE: 06A | VARIANT NUMBER: ?
 FILE DATE: Thu Oct 17 12:14:05 2002
 ENGINEER: MN | FILE NAME: 220_02024 | SHEET NUMBER: 18 OF 18

06A	DCO 02024-010, 02024-011	SA	MN	CK	MN	15/10/02
REV/ISS	AMENDMENTS	DRAWN	CHKD	D.O.	APVD	DATE

